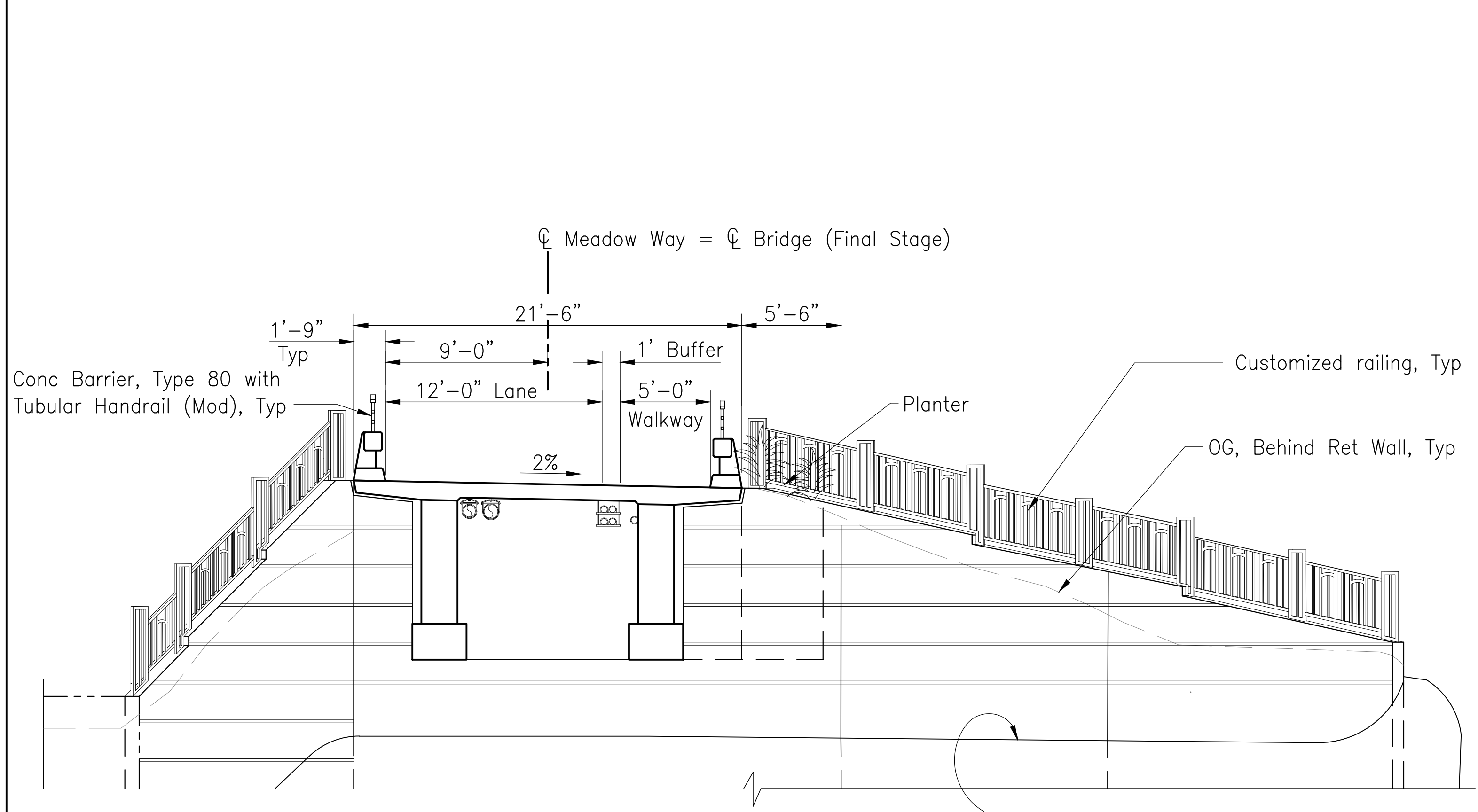


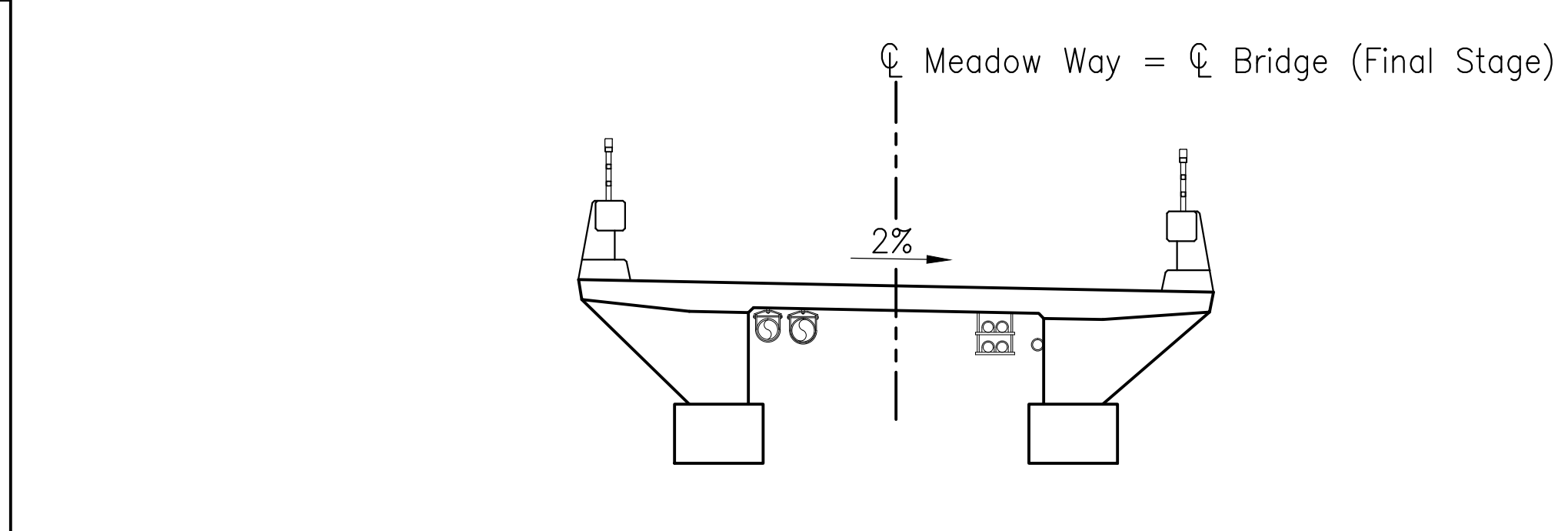
DIST	COUNTY	ROUTE	POST MILES TOTAL PROJECT	SHEET NO.	TOTAL SHEETS
04	Mrn				

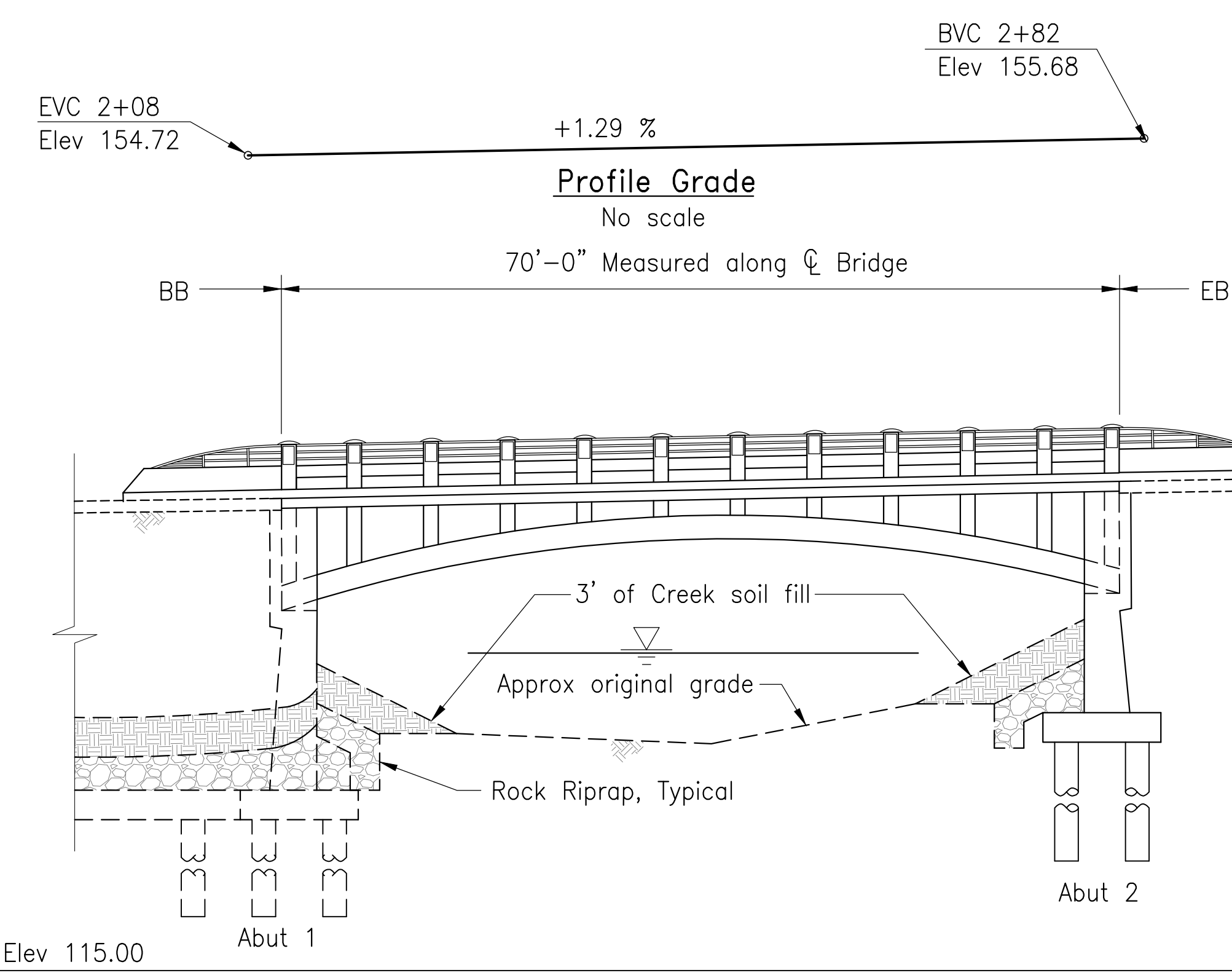
REGISTERED CIVIL ENGINEER	
PLANS APPROVAL DATE	
930 ALHAMBRA BLVD. SUITE 220 SACRAMENTO, CA 95816	



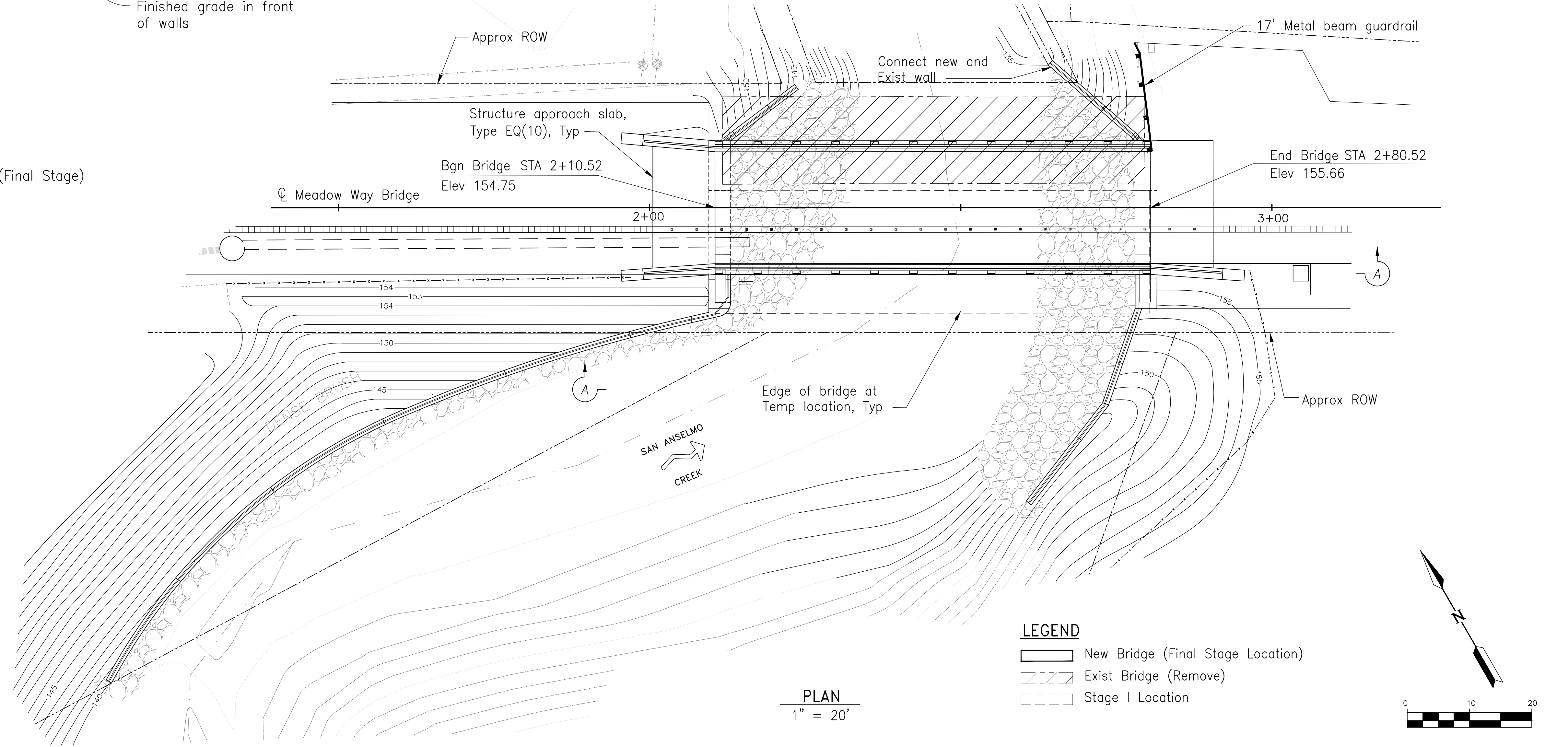
**TYPICAL SECTION @ ABUT 2**  
1" = 5'



**TYPICAL SECTION @ MIDSPAN**  
1" = 5'



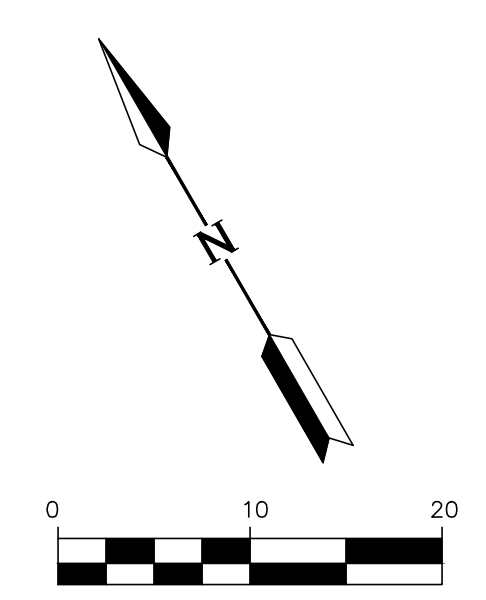
**ELEVATION A-A**  
1" = 10'



**PLAN**  
1" = 20'

**LEGEND**

	New Bridge (Final Stage Location)
	Exist Bridge (Remove)
	Stage I Location



DESIGN OVERSIGHT	DESIGN BY D. Vang	CHECKED	LOAD & RESISTANCE FACTOR DESIGN	LIVE LOADING: HL93 AND PERMIT DESIGN VEHICLE	PREPARED FOR THE <b>TOWN OF FAIRFAX</b> DEPARTMENT OF PUBLIC WORKS	PROJECT ENGINEER	BRIDGE No. 27C-0008	<b>MEADOW WAY BRIDGE OVER SAN ANSELMO CREEK</b> <b>GENERAL PLAN</b>
SIGNOFF DATE	DETAILS BY J. Carvalho	CHECKED	LAYOUT	BY N. Tamannaie		Nader Tamannaie, PE	POST MILE	
DS OSD 2138 (CADD 4/89)	QUANTITIES BY	CHECKED	SPECIFICATIONS	BY		CU EA	---	

ORIGINAL SCALE IN INCHES FOR REDUCED PLANS							0	1	2	3	CU EA	DISREGARD PRINTS BEARING EARLIER REVISION DATES	REVISION DATES (PRELIMINARY STAGE ONLY)			SHEET 1 OF 1
--	--	--	--	--	--	--	---	---	---	---	-------	---	---	--	--	--------------

CONTRACT NO.